

NIKRO

H.E.P.A. FILTERED LEAD VACUUMS

Durability



LV15



LV02



LV10

Dependability



LVW15



LV55

Performance

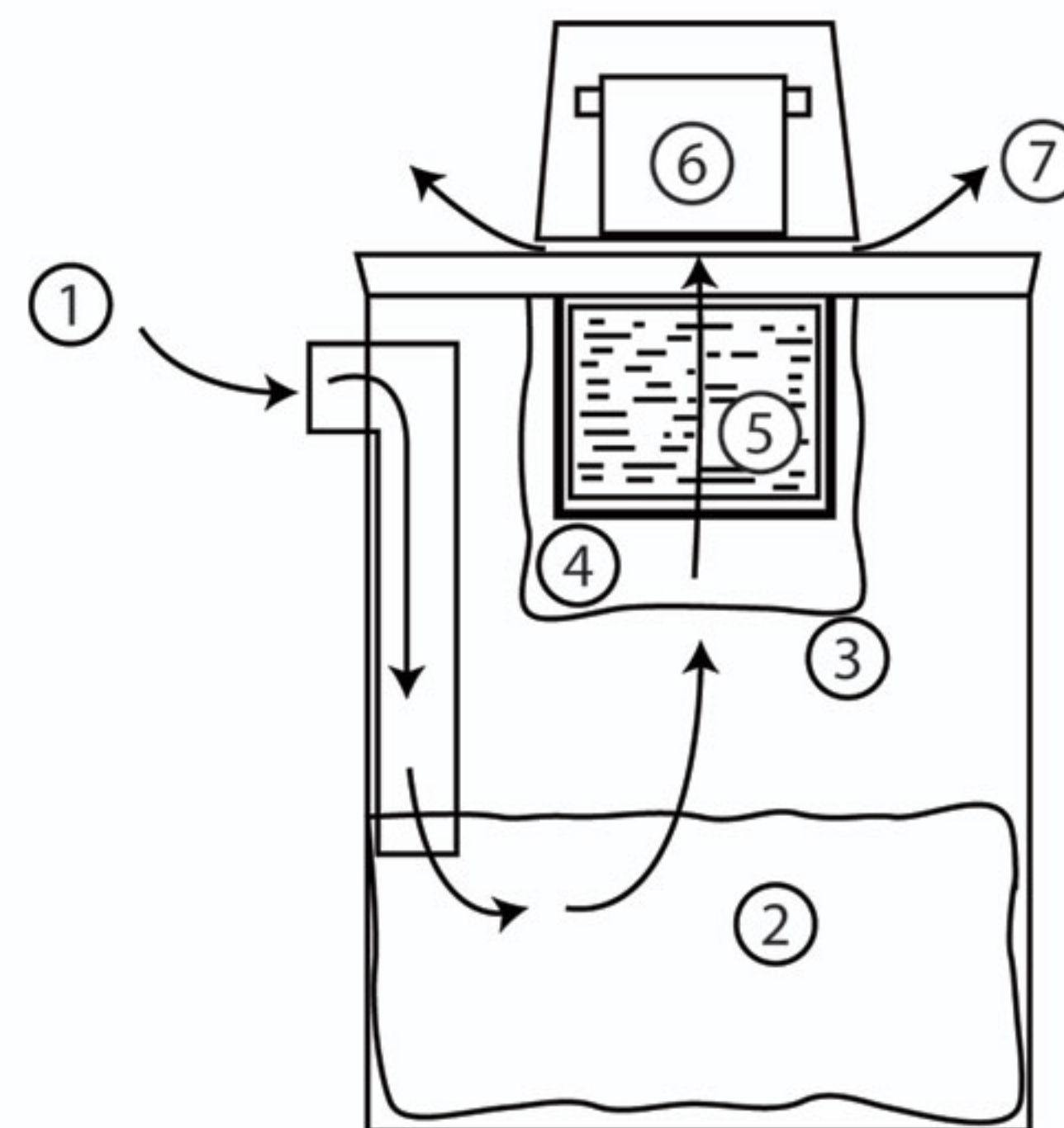
H.E.P.A. FILTERED LEAD VACUUMS

NIKRO . . . A true innovator in H.E.P.A. Filtration offers a complete line of H.E.P.A. Filtered Lead Vacuums. These Lead Vacuums have been designed for the safe and efficient collection of lead, asbestos, mold and other toxic and nuisance dust. Each H.E.P.A. Filtered Lead Vacuum comes with a final stage true H.E.P.A. Filter. Each and every H.E.P.A. Filter is

independently tested and certified to have a minimum efficiency of 99.97% at 0.3 microns, which meets or exceeds OSHA and EPA standards for cleaning the air of lead dust. These high performance H.E.P.A. Filtered Lead Vacuums come with a 2 year quality assurance warranty. Whatever the application . . . Turn to **NIKRO** for a Safer Environment.

OPERATION

1. Debris enters the vacuum through the intake and travels down the tube.
2. The collection bag is the first of four filters. Here the bulk of the debris is collected, allowing safe, easy disposal. (55 gal. vacuums load directly into heavy mil. disposable poly bags.)
3. The cloth filter bag sheds dust and soot, protecting the H.E.P.A. filter from dust particles, etc.
4. The micro impact filter is designed to capture fine particles before reaching the H.E.P.A. filter.
5. The H.E.P.A. filter is the primary and most critical of the four stage filtration system. Each H.E.P.A. filter is individually tested and certified to be a minimum of 99.97% efficient at 0.3 microns.
6. Vacuum motor.
7. Clean air is exhausted allowing for a safer environment.



SPECIFICATIONS

MODEL #	CFM	STATIC LIFT	TANK SIZE	WEIGHT	DIMENSIONS	VOLTS/AMPS	TOOLS & ATTACHMENTS	PICK UP TYPE
LV02	114	110"	2 GAL.	13 LBS	12"x10"x21"	115/10.5	LVK100	DRY
LV10	112	107"	10 GAL.	25 LBS	16"x15"x24"	115/10.5	LVK200	MOIST OR DRY
LV15	119	114"	15 GAL.	53 LBS	22"x20"x33"	115/13	LVK200	MOIST OR DRY
LVW15	119	114"	15 GAL.	65 LBS	22" x 20" x 45"	115/13	LVK300	LIQUID, MOIST, DRY
LV55	230	110"	55 GAL.	117 LBS	35"x23"x46"	115/13 EA MTR	SOLD SEPARATELY	MOIST OR DRY

TOOLS & ATTACHMENTS



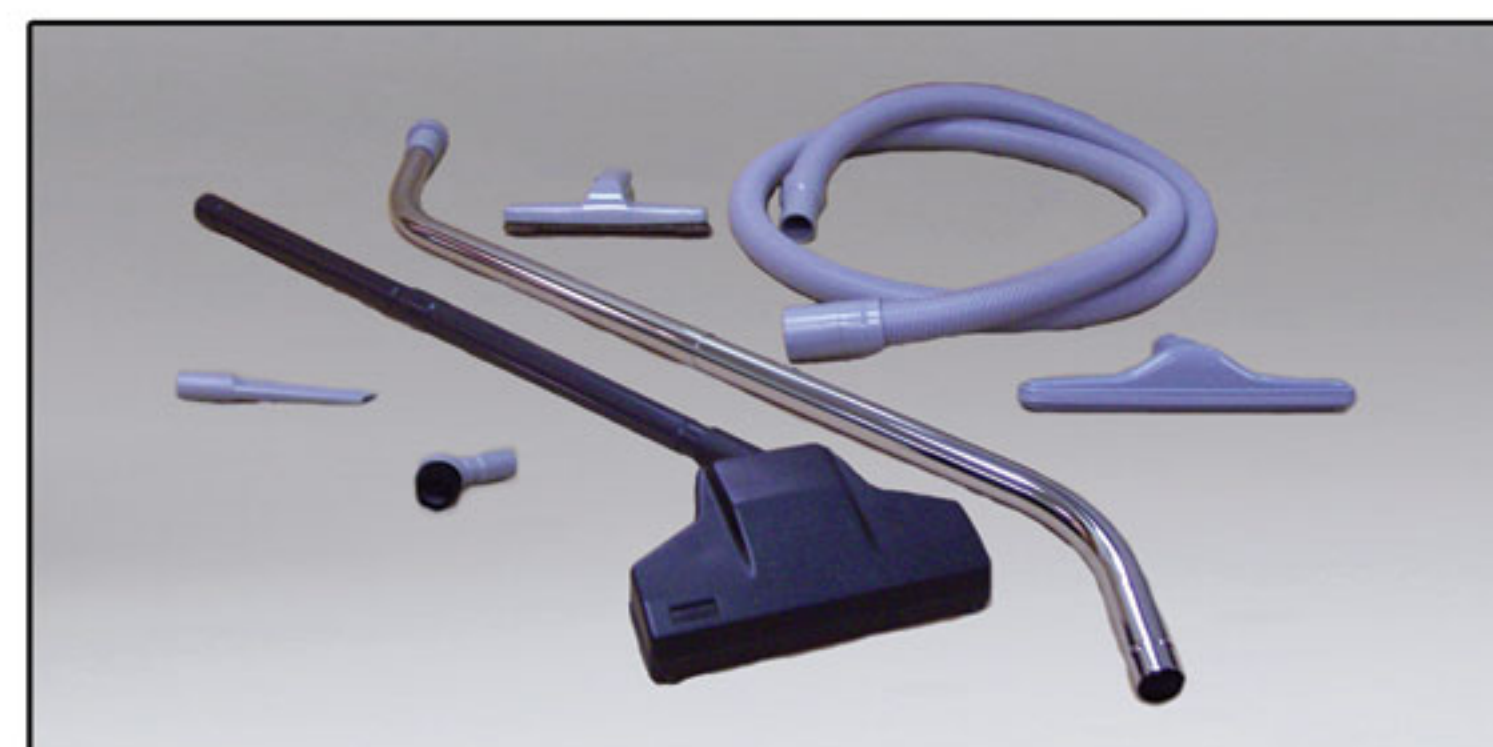
#LVK100

Includes: 1 - 1 1/2" x 7' Hose, 1 - 2 PC Plastic Wand, 1 - Crevice Tool, 1 - 10" Floor & Wall Brush Tool, 1 - 3" Rd. Dust Brush



#861972

11" Rotary Beater Brush Carpet Tool w/Wand



#LVK200

Includes: 1 - 1 1/2" x 10' Hose, 1 - 2 PC Metal Wand, 1 - 14" Floor Tool, 1 - 10" Floor & Wall Brush Tool, 1 - Crevice Tool, 1 - 3" Rd Brush Tool, 1 - 11" Rotary Beater Brush Carpet Tool w/Wand

#LVK300

Includes: Same as LVK200, Plus a 14" Squeegee Tool

NIKRO

INDUSTRIES, INC.

1115 N Ellsworth Ave., Villa Park, IL 60181 Ph: 800-875-6457 Fax: 630-530-0740 Web: www.nikro.com